

Product information presented here reflects conditions at time of publication. Consult factory regarding discrepancies or inconsistencies.

MAIL TO: P.O. BOX 16347 • Louisville, KY 40256-0347 USA  
SHIPTO: 3649 Cane Run Road • Louisville, KY 40211-1961 USA  
+1 (502) 778-2731 • 1-800-928-7867 • FAX +1 (502) 774-3624

visit our web site:  
[zoellerpumps.com](http://zoellerpumps.com)

## REPLACEMENT PARTS LIST FOR GRINDER MODELS:

**E815 NONAUTOMATIC 230V 1PH 60 HZ**

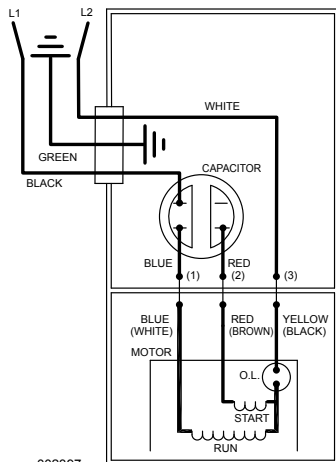
**RE815 NONAUTOMATIC/MANUAL RUN 230V 1PH 60 HZ**

**RWD815 AUTOMATIC/MANUAL RUN W/WIRED FLOAT SWITCH 230V 1PH 60 HZ**

**Z815 NONAUTOMATIC/ 230V 1PH 50 HZ**

Consult factory for all other models.

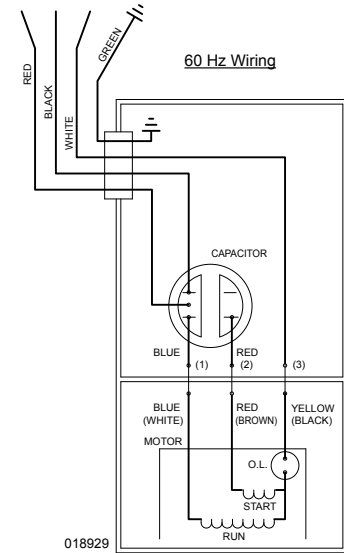
50/60 Hz Wiring



002397

WIRING DIAGRAM FOR MODELS  
"E815-A", "E815-B", "Z815"  
8/06 thru Current

60 Hz Wiring



018929

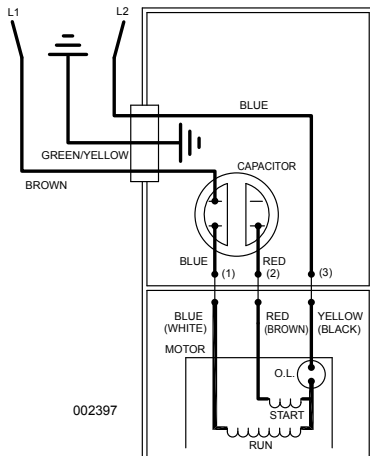
WIRING DIAGRAM FOR MODELS  
"E815-A" and "E815-B"  
Manual Run Option  
4/07 thru 3/13

### TO ORDER REPLACEMENT PARTS

#### PLEASE FURNISH THE FOLLOWING INFORMATION:

- Model number
- Part number of pump
- Part number and description of part

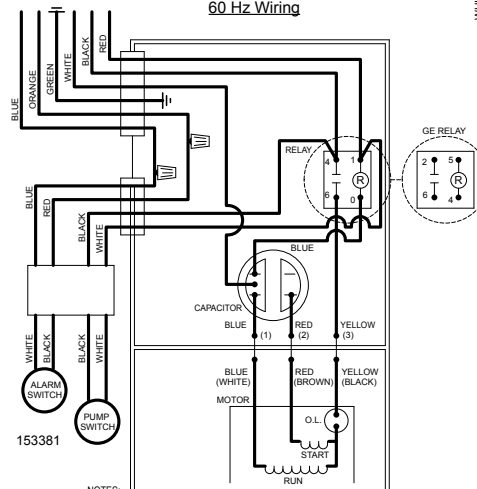
50 Hz Wiring



002397

WIRING DIAGRAM FOR MODEL  
"Z815"  
8/06 thru Current

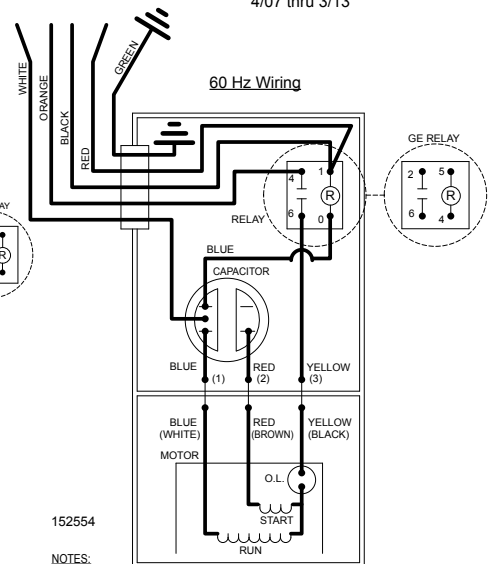
60 Hz Wiring



153381

NOTES:  
1) INSULATORS REQUIRED ON GE RELAY TERMINALS 2 & 5;  
OMRON RELAY TERMINALS 1 & 4.

WIRING DIAGRAM FOR MODEL  
"RWD815"  
All revisions thru Current



152554

NOTES:  
1) INSULATORS REQUIRED ON GE RELAY TERMINALS 2 & 5;  
OMRON RELAY TERMINALS 1 & 4.

WIRING DIAGRAM FOR MODEL  
"RE-815"  
3/13 thru Current

REPLACEMENT PARTS LIST FOR MODEL "E815"

See page 7 for illustration.

REF NO.	DESCRIPTION	QTY	NOTES	MODELS:			
				E815-A	E815-B	E815-C	E815-D
				8/06 thru 8/07	9/07 thru 12/07	1/08 thru 5/16	6/16 thru Current
1	• Handle	1		217069	217069	217069	217069
2	Cover & Cord (Cord - 20' (6 m) length SOW 15A plug)	1	2	002401	002401	002401	002401
	Cover & Cord (Cord - 20' (6 m) length SOW no plug)			N/A	N/A	N/A	N/A
	Cover & Cord (Cord 33' (10 m) length H07RN-F3G1.5 no plug/CE)			N/A	N/A	N/A	N/A
3	Cord, Term & Seal Asm (Cord - 20' (6 m) length SOW 15A plug)	1	2	002402	002402	002402	002402
	Cord, Term & Seal Asm (Cord - 20' (6 m) length SOW no plug)			N/A	N/A	N/A	N/A
	Cord, Term & Seal Asm (Cord 33' (10 m) length H07RN-F3G1.5 no plug)			N/A	N/A	N/A	N/A
4	• Seal, Cord-Asm & strain relief	1	2	094032	094032	094032	094032
5	Cover-Mach. (Cord, SOW)	1		001077	001077	001077	001077
	Cover-Mach. (Cord, H07RN-F3G1.5/CE)			N/A	N/A	N/A	N/A
6	• Gasket, Case/Cover	1		001011	001011	001011	001011
7	• Wire Pkg.	1		011092	011092	011092	011092
8	Capacitor & Clamp Asm	1		010666	010666	151706	151706
9	• Plug, Test	2		015023	015023	015023	015023
10	• Seal, Thru Wall Term	3		003402	003402	003402	003402
11	Housing, motor & stator	1	1	018909	018909	018909	018909
12	• Spring, Bearing Preload	1		017192	017192	017192	017192
13	• Bearing, Upper 6201	1		006703	006703	006703	006703
14	Rotor & bearing Asm	1		018911	018911	018911	018911
15	• Key	1		017893	017893	017893	017893
16	• Bearing, Lower 6204	1		012544	012544	012544	012544
17	• Seal, motor housing	1		001014	001014	001014	001014
18	• Oil, Dielectric-(57 Oz Can)	1		009051	009051	009051	009051
19	Adapter-Mach.	1		017891	017891	017891	017891
20	• Seal, Shaft	1		018912	018912	018912	018912
21	• Washer, Seal Locating & Snap Ring	1		018913	018913	018913	018913
22	Rotor, Pump-Hydraulic & Pin	1		018914	018915	018915	018915
23	• Pin	1		017892	018892	018892	018892
24	• Seal, Pump Housing	1		017894	017894	017894	017894
25	Housing, Pump-Mach. & Press. Rif Valve	1		018917	018917	019551	019551
26	Leg, Wireform	2		017841	017841	017841	017841
27	Valve, Pressure Relief	1		018433	018433	018433	018433
28	Stator, Hydraulic	1		151617	151617	151617	151617
29	• Insert, Stator Ss	6		018369	018369	018369	018369
30	Cutter & Disc Asm 810/815	1		018918	018918	018918	154184
31	Shim Set	1		012632	012632	012632	012632
32	Clamp, Strain Relief (Cord, SOW)	1		001770	001770	001770	001770
	Clamp, Strain Relief (Cord, H07RN-F3G1.5)	1		N/A	N/A	N/A	N/A
33	• Screw, .25-20 X .75 HHM-SS	4		001916	001916	001916	001916
34	• Screw, #6-32 X .25 RHM SL TC STLGR	3		001877	001877	001877	001877
35	• Screw, .25-20 X 1 HHM-SS	4		007790	007790	007790	007790
36	• Screw, .313-18 X 2 HH CAP Full Thread/SS	4		018186	018186	018186	018186
37	• Washer, Flat-SS .313	4		015914	015914	015914	015914
38	• Nut, .313-18 H-SS	4		001813	001813	001813	001813
39	• Washer, Retaining SS	1		008533	008533	008533	008533
40	• Screw, .25-20 X .75 HH SS (NYLOCK)	1		009545	009545	009545	009545
41	• Washer, Flat-SS .25	6	5	004480	004480	004480	N/A
42	• Screw, .25-20 X .875 (1.125 length for plate w/o recess)	6		018387	018387	018387	153205
43	Disc, Cutter	1		010407	010407	010407	153203
44	Cutter/Shim Asm/3 Blade	1		019695	019695	019695	154185
45	Relay	0		N/A	N/A	N/A	N/A
46	Insulation - Insulator	0		N/A	N/A	N/A	N/A
47	Switch, Flts - Term & Seal	0		N/A	N/A	N/A	N/A
48	• Seal, Cord - Flt Switch	0		N/A	N/A	N/A	N/A
49	• Connector Wirenut	0		N/A	N/A	N/A	N/A
▣	Rebuild Kit			018919	018920	018920	018920

• Items included in Rebuild Kit.

▣ Not Shown in Illustration.

**REPLACEMENT PARTS LIST FOR MODEL "Z815"**

See page 7 for illustration.

REF NO.	DESCRIPTION	QTY	NOTES	MODELS:	
				Z815-A	Z815-B
1	• Handle	1		217069	217069
2	Cover & Cord (Cord - 20' (6 m) length SOW 15A plug)	1	2	N/A	N/A
	Cover & Cord (Cord - 20' (6 m) length SOW no plug)			153109	153109
	Cover & Cord (Cord 33' (10 m) length H07RN-F3G1.5 no plug/CE)			153101	153101
3	Cord, Term & Seal Asm (Cord - 20' (6 m) length SOW 15A plug)	1	2	N/A	N/A
	Cord, Term & Seal Asm (Cord - 20' (6 m) length SOW no plug)			005391	005391
	Cord, Term & Seal Asm (Cord 33' (10 m) length H07RN-F3G1.5 no plug)			153103	153103
4	• Seal, Cord-Asm & strain relief	1	2	094032	094032
5	Cover-Mach. (Cord, SOW)	1		001077	001077
	Cover-Mach. (Cord, H07RN-F3G1.5/CE)			152044	152044
6	• Gasket, Case/Cover	1		001011	001011
7	• Wire Pkg.	1		011092	011092
8	Capacitor & Clamp Asm	1		151706	151706
9	• Plug, Test	2		015023	015023
10	• Seal, Thru Wall Term	3		003402	003402
11	Housing, motor & stator	1	1	153108	153108
12	• Spring, Bearing Preload	1		017192	017192
13	• Bearing, Upper 6201	1		006703	006703
14	Rotor & bearing Asm	1		018911	018911
15	• Key	1		017893	017893
16	• Bearing, Lower 6204	1		012544	012544
17	• Seal, motor housing	1		001014	001014
18	• Oil, Dielectric-(57 Oz Can)	1		009051	009051
19	Adapter-Mach.	1		017891	017891
20	• Seal, Shaft	1		018912	018912
21	• Washer, Seal Locating & Snap Ring	1		018913	018913
22	Rotor, Pump-Hydraulic & Pin	1		018915	018915
23	• Pin	1		018992	018992
24	• Seal, Pump Housing	1		017894	017894
25	Housing, Pump-Mach. & Press. Rlf Valve	1		019551	019551
26	Leg, Wireform	2		017841	017841
27	Valve, Pressure Relief	1		018433	018433
28	Stator, Hydraulic	1		151617	151617
29	• Insert, Stator Ss	6		018369	018369
30	Cutter & Disc Asm 810/815	1		018918	154184
31	Shim Set	1		012632	012632
32	Clamp, Strain Relief (Cord, SOW)	1		001770	001770
	Clamp, Strain Relief (Cord, H07RN-F3G1.5)	1		152191	152191
33	• Screw, .25-20 X .75 HHM-SS	4		001916	001916
34	• Screw, #6-32 X .25 RHM SL TC STLGR	3		001877	001877
35	• Screw, .25-20 X 1 HHM-SS	4		007790	007790
36	• Screw, .313-18 X 2 HH CAP Full Thread/SS	4		018186	018186
37	• Washer, Flat-SS .313	4		015914	015914
38	• Nut, .313-18 H-SS	4		001813	001813
39	• Washer, Retaining SS	1		008533	008533
40	• Screw, .25-20 X .75 HH SS (NYLOCK)	1		009545	009545
41	• Washer, Flat-SS .25	6	5	004480	N/A
42	• Screw, .25-20 X .875 (1.125 length for plate w/o recess)	6		018387	153205
43	Disc, Cutter	1		010407	153203
44	Cutter/Shim Asm/3 Blade	1		019695	154185
45	Relay	0		N/A	N/A
46	Insulation - Insulator	0		N/A	N/A
47	Switch, Flts - Term & Seal	0		N/A	N/A
48	• Seal, Cord - Flt Switch	0		N/A	N/A
49	• Connector Wirenut	0		N/A	N/A
□	Rebuild Kit			018920	018920

**NOTES:**

- 1) Motor housing, stator & term. (Item 11) is preassembled at the factory and must be replaced as a unit. Stator is permanently attached to the Motor Housing. Plug (Item 9) and Seal, Thru Wall Term. (Item 10) are replaceable.
- 2) If an "X" follows Model No., or Date Mfg. on brass ID tag, consult factory for ordering of this part.
- 3) See FM0160 Parts Price Sheet for listing of parts prices.
- 4) "N/A" indicates, not applicable.
- 5) Flat washers required for plate without recess.

**REPLACEMENT PARTS LIST FOR MODEL "E815" MANUAL RUN OPTION**

See page 7 for illustration.

REF NO.	DESCRIPTION	QTY	NOTES	MODELS:		
				E815-A	E815-B	E815-C
				4/07 thru 8/07	9/07 thru 12/07	1/08 thru 3/13
1	• Handle	1		217069	217069	217069
2	Cover & Cord	1	2	018927	018927	018927
3	Cord, Term & Seal Asm	1	2	018928	018928	018928
4	• Seal, cord-Asm & strain relief	1	2	094032	094032	094032
5	Cover-Mach.	1		001077	001077	001077
6	• Gasket, Case/Cover	1		001011	001011	001011
7	• Wire Pkg.	1		011092	011092	011092
8	Capacitor & Clamp Asm	1		010666	010666	151706
9	• Plug, Test	2		015023	015023	015023
10	• Seal, Thru Wall Term	3		003402	003402	003402
11	Housing, motor & stator	1	1	018909	018909	018909
12	• Spring, Bearing Preload	1		017192	017192	017192
13	• Bearing, Upper 6201	1		006703	006703	006703
14	Rotor & bearing Asm	1		018911	018911	018911
15	• Key	1		017893	017893	017893
16	• Bearing, Lower 6204	1		012544	012544	012544
17	• Seal, motor housing	1		001014	001014	001014
18	• Oil, Dielectric-(57 Oz Can)	1		009051	009051	009051
19	Adapter-Mach.	1		017891	017891	017891
20	• Seal, Shaft	1		018912	018912	018912
21	• Washer, Seal Locating & Snap Ring	1		018913	018913	018913
22	Rotor, Pump-Hydraulic & Pin	1		018914	018915	018915
23	• Pin	1		017892	018892	018892
24	• Seal, Pump Housing	1		017894	017894	017894
25	Housing, Pump-Mach. & Press. Rlf Valve	1		018917	018917	019551
26	Leg, Wireform	2		017841	017841	017841
27	Valve, Pressure Relief	1		018433	018433	018433
28	Stator, Hydraulic	1		151617	151617	151617
29	• Insert, Stator Ss	6		018369	018369	018369
30	Cutter & Disc Asm 810/815	1		018918	018918	018918
31	Shim Set	1		012632	012632	012632
32	Clamp, Strain Relief-Red	1		001770	001770	001770
33	• Screw, .25-20 X .75 HHM-SS	4		001916	001916	001916
34	• Screw, #6-32 X .25 RHM SL TC STLGR	4		001877	001877	001877
35	• Screw, .25-20 X 1 HHM-SS	4		007790	007790	007790
36	• Screw, .313-18 X 2 HH CAP Full Thread/SS	4		018186	018186	018186
37	• Washer, Flat-SS .313	4		015914	015914	015914
38	• Nut, .313-18 H-SS	4		001813	001813	001813
39	• Washer, Retaining SS	1		008533	008533	008533
40	• Screw, .25-20 X .75 HH SS (NYLOCK)	1		009545	009545	009545
41	• Washer, Flat-SS .25	6	5	004480	004480	004480
42	• Screw, .25-20 X 1.125	6		018387	018387	018387
43	Disc, Cutter	1		010407	010407	010407
44	Cutter/Shim Asm/3 Blade	1		019695	019695	019695
45	Relay	1		N/A	N/A	N/A
46	Insulation - Insulator	4		N/A	N/A	N/A
47	Switch, Flts - Term & Seal	1		N/A	N/A	N/A
48	• Seal, Cord - Flt Switch	1		N/A	N/A	N/A
49	• Connector Wirenut	2		N/A	N/A	N/A
□	Rebuild Kit			018919	018920	018920

- Items included in Rebuild Kit.
- Not Shown in Illustration.

**NOTES:**

- 1) Motor housing, stator & term. (Item 11) is preassembled at the factory and must be replaced as a unit. Stator is permanently attached to the Motor Housing. Plug (Item 9) and Seal, Thru Wall Term. (Item 10) are replaceable.
- 2) If an "X" follows Model No., or Date Mfg. on brass ID tag, consult factory for ordering of this part.
- 3) See FM0160 Parts Price Sheet for listing of parts prices.
- 4) "N/A" indicates, not applicable.
- 5) Flat washers required for plate without recess.

# REPLACEMENT PARTS LIST FOR MODEL "RE815" MANUAL RUN OPTION

See page 7 for illustration.

REF NO.	DESCRIPTION	QTY	NOTES	MODELS:		
				RE815-A	RE815-B	RE815-C
				3/13 thru 1/16	2/16 thru 5/16	6/16 thru Current
1	• Handle	1		217069	217069	217069
2	Cover & Cord	1	2	152532	152532	152532
3	Cord, Term & Seal Asm	1	2	152533	152533	152533
4	• Seal, cord-Asm & strain relief	1	2	015634	015634	015634
5	Cover-Mach.	1		014150	014150	014150
6	• Gasket, Case/Cover	1		001011	001011	001011
7	• Wire Pkg.	1		004751	004751	004751
8	Capacitor & Clamp Asm	1		151706	151706	151706
9	• Plug, Test	2		015023	015023	015023
10	• Seal, Thru Wall Term	3		003402	003402	003402
11	Housing, motor & stator	1	1	018909	018909	018909
12	• Spring, Bearing Preload	1		017192	017192	017192
13	• Bearing, Upper 6201	1		006703	006703	006703
14	Rotor & bearing Asm	1		018911	018911	018911
15	• Key	1		017893	017893	017893
16	• Bearing, Lower 6204	1		012544	012544	012544
17	• Seal, motor housing	1		001014	001014	001014
18	• Oil, Dielectric-(57 Oz Can)	1		009051	009051	009051
19	Adapter-Mach.	1		017891	017891	017891
20	• Seal, Shaft	1		018912	018912	018912
21	• Washer, Seal Locating & Snap Ring	1		018913	018913	018913
22	Rotor, Pump-Hydraulic & Pin	1		018915	018915	018915
23	• Pin	1		018892	018892	018892
24	• Seal, Pump Housing	1		017894	017894	017894
25	Housing, Pump-Mach. & Press. Rlf Valve	1		019551	019551	019551
26	Leg, Wireform	2		017841	017841	017841
27	Valve, Pressure Relief	1		018433	018433	018433
28	Stator, Hydraulic	1		151617	151617	151617
29	• Insert, Stator Ss	6		018369	018369	018369
30	Cutter & Disc Asm 810/815	1		018918	018918	154184
31	Shim Set	1		012632	012632	012632
32	Clamp, Strain Relief-Red	1		013765	013765	013765
33	• Screw, .25-20 X .75 HHM-SS	4		001916	001916	001916
34	• Screw, #6-32 X .25 RHM SL TC STLGR	4		001877	001877	001877
35	• Screw, .25-20 X 1 HHM-SS	4		007790	007790	007790
36	• Screw, .313-18 X 2 HH CAP Full Thread/SS	4		018186	018186	018186
37	• Washer, Flat-SS .313	4		015914	015914	015914
38	• Nut, .313-18 H-SS	4		001813	001813	001813
39	• Washer, Retaining SS	1		008533	008533	008533
40	• Screw, .25-20 X .75 HH SS (NYLOCK)	1		009545	009545	009545
41	• Washer, Flat-SS .25	6	5	004480	004480	N/A
42	• Screw, .25-20 X .875 (1.125 length for plate w/o recess)	6		018387	018387	153205
43	Disc, Cutter	1		010407	010407	153203
44	Cutter/Shim Asm/3 Blade	1		019695	019695	154185
45	Relay	1		217093	153833	153833
46	Insulation - Insulator	4		001797	001797	001797
47	Switch, Flts - Term & Seal	1		N/A	N/A	N/A
48	• Seal, Cord - Flt Switch	1		N/A	N/A	N/A
49	• Connector Wirenut	2		N/A	N/A	N/A
▣	Rebuild Kit			152750	152750	152750

• Items included in Rebuild Kit.

▣ Not Shown in Illustration.

## NOTES:

- 1) Motor housing, stator & term. (Item 11) is preassembled at the factory and must be replaced as a unit. Stator is permanently attached to the Motor Housing. Plug (Item 9) and Seal, Thru Wall Term. (Item 10) are replaceable.
- 2) If an "X" follows Model No., or Date Mfg. on brass ID tag, consult factory for ordering of this part.
- 3) See FM0160 Parts Price Sheet for listing of parts prices.
- 4) "N/A" indicates, not applicable.
- 5) Flat washers required for plate without recess.

**REPLACEMENT PARTS LIST FOR MODEL "RWD815" MANUAL RUN OPTION**

See page 7 for illustration.

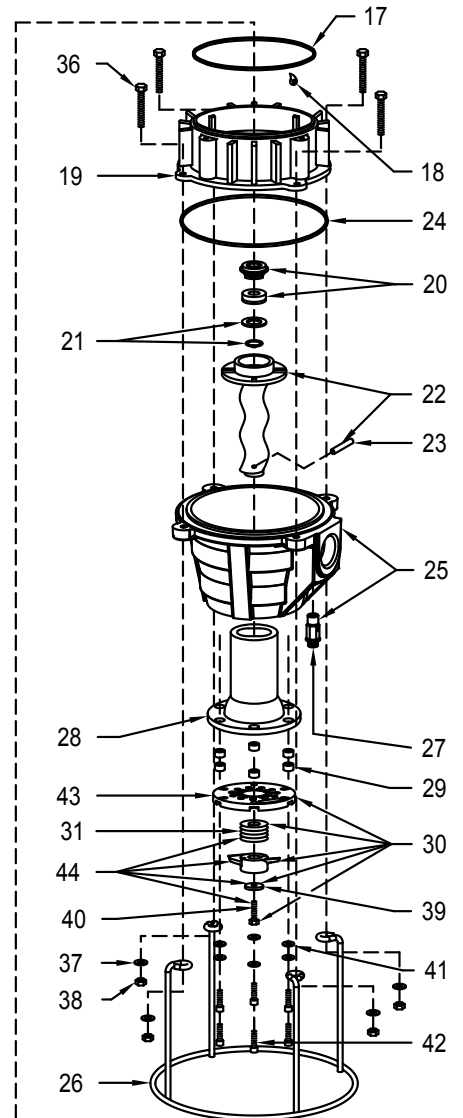
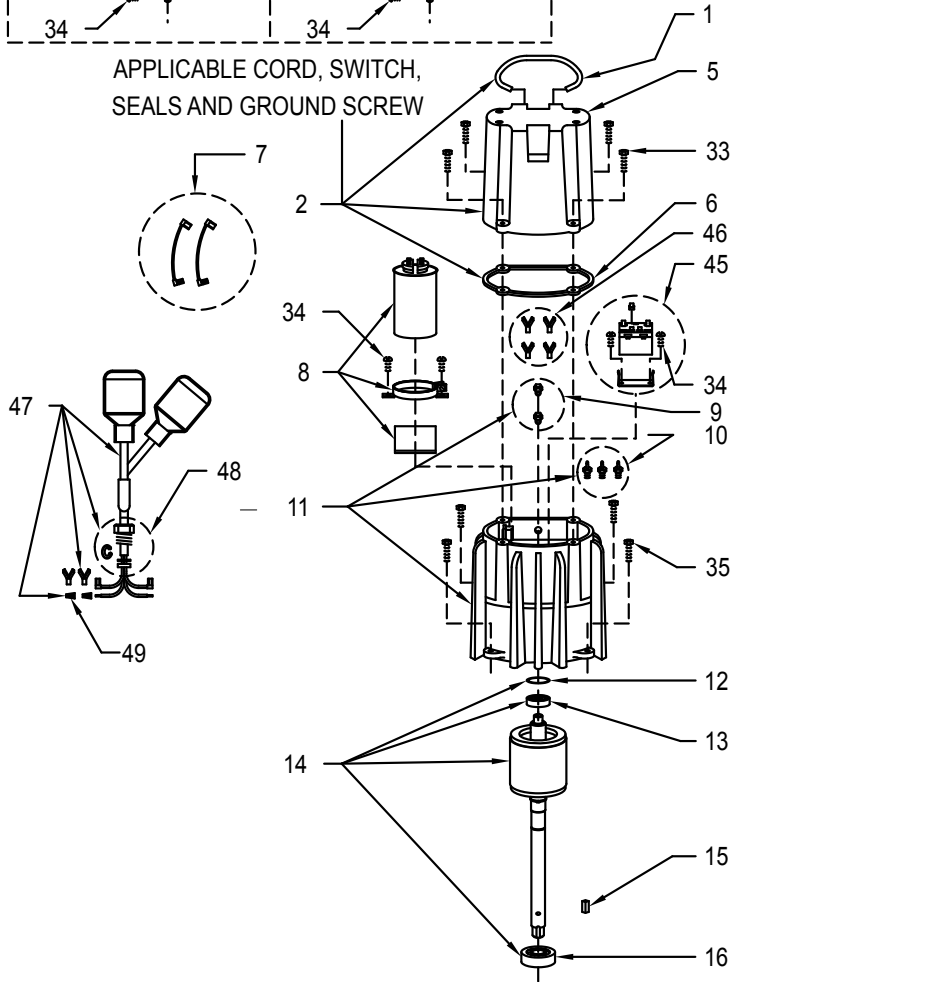
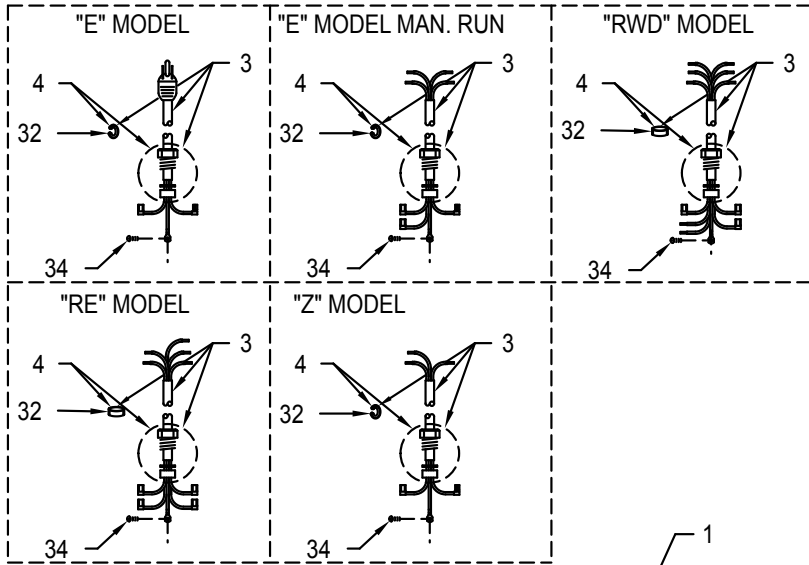
				MODELS:		
REF NO.	DESCRIPTION	QTY	NOTES	RWD815-A	RWD815-B	RWD815-C
				3/15 thru 1/16	2/16 thru 5/16	6/16 thru Current
1	• Handle	1		217069	217069	217069
2	Cover & Cord	1	2	153382	153382	153382
3	Cord, Term & Seal Asm	1	2	153386	153386	153386
4	• Seal, cord-Asm & strain relief	1	2	015634	015634	015634
5	Cover-Mach.	1		014152	014152	014152
6	• Gasket, Case/Cover	1		001011	001011	001011
7	• Wire Pkg.	1		004751	004751	004751
8	Capacitor & Clamp Asm	1		151706	151706	151706
9	• Plug, Test	2		015023	015023	015023
10	• Seal, Thru Wall Term	3		003402	003402	003402
11	Housing, motor & stator	1	1	018909	018909	018909
12	• Spring, Bearing Preload	1		017192	017192	017192
13	• Bearing, Upper 6201	1		006703	006703	006703
14	Rotor & bearing Asm	1		018911	018911	018911
15	• Key	1		017893	017893	017893
16	• Bearing, Lower 6204	1		012544	012544	012544
17	• Seal, motor housing	1		001014	001014	001014
18	• Oil, Dielectric-(57 Oz Can)	1		009051	009051	009051
19	Adapter-Mach.	1		017891	017891	017891
20	• Seal, Shaft	1		018912	018912	018912
21	• Washer, Seal Locating & Snap Ring	1		018913	018913	018913
22	Rotor, Pump-Hydraulic & Pin	1		018915	018915	018915
23	• Pin	1		018892	018892	018892
24	• Seal, Pump Housing	1		017894	017894	017894
25	Housing, Pump-Mach. & Press. Rlf Valve	1		019551	019551	019551
26	Leg, Wireform	2		017841	017841	017841
27	Valve, Pressure Relief	1		018433	018433	018433
28	Stator, Hydraulic	1		151617	151617	151617
29	• Insert, Stator Ss	6		018369	018369	018369
30	Cutter & Disc Asm 810/815	1		018918	018918	154184
31	Shim Set	1		012632	012632	012632
32	Clamp, Strain Relief-Red	1		013765	013765	013765
33	• Screw, .25-20 X .75 HHM-SS	4		001916	001916	001916
34	• Screw, #6-32 X .25 RHM SL TC STLGR	4		001877	001877	001877
35	• Screw, .25-20 X 1 HHM-SS	4		007790	007790	007790
36	• Screw, .313-18 X 2 HH CAP Full Thread/SS	4		018186	018186	018186
37	• Washer, Flat-SS .313	4		015914	015914	015914
38	• Nut, .313-18 H-SS	4		001813	001813	001813
39	• Washer, Retaining SS	1		008533	008533	008533
40	• Screw, .25-20 X .75 HH SS (NYLOCK)	1		009545	009545	009545
41	• Washer, Flat-SS .25	6	5	004480	004480	N/A
42	• Screw, .25-20 X .875 (1.125 length for plate w/o recess)	6		018387	018387	153205
43	Disc, Cutter	1		010407	010407	153203
44	Cutter/Shim Asm/3 Blade	1		019695	019695	154185
45	Relay	1		217093	153833	153833
46	Insulation - Insulator	4		001797	001797	001797
47	Switch, Flts - Term & Seal	1		153383	153383	153383
48	• Seal, Cord - Flt Switch	1		094043	094043	094043
49	• Connector Wirenut	2		003753	003753	003753
□	Rebuild Kit			152750	152750	152750

- Items included in Rebuild Kit.
- Not Shown in Illustration.

**NOTES:**

- 1) Motor housing, stator & term. (Item 11) is preassembled at the factory and must be replaced as a unit. Stator is permanently attached to the Motor Housing. Plug (Item 9) and Seal, Thru Wall Term. (Item 10) are replaceable.
- 2) If an "X" follows Model No., or Date Mfg. on brass ID tag, consult factory for ordering of this part.
- 3) See FM0160 Parts Price Sheet for listing of parts prices.
- 4) "N/A" indicates, not applicable.
- 5) Flat washers required for plate without recess.

# REPLACEMENT PARTS ILLUSTRATION FOR 815 - ALL MODELS



SK2653

## NOTES



**MAIL TO:** P.O. BOX 16347 • Louisville, KY 40256-0347  
**SHIP TO:** 3649 Cane Run Road • Louisville, KY 40211-1961  
(502) 778-2731 • 1 (800) 928-PUMP • **FAX** (502) 774-3624

**Visit our web site:**  
[zoellerpumps.com](http://zoellerpumps.com)

Trusted. Tested. Tough.™

© Copyright 2017 Zoeller® Co. All rights reserved.